



Long Reach/High Reach Attachment



With our extensive experience in designing and manufacturing of long reach boom, you can now maximize your ROI (Return On Investment) on your existing fleet of excavators. Hundreds of customers have realized the value of long reach attachment where standard boom failed to get the necessary job done effectively. Our long reach boom can help you to achieve more than 50% digging depth and forward reach over a standard boom, saving you valuable cost and time, and maximizing your bottom line.

Only structural grade tensile steel is used in our boom and stick construction, and we do design it with various grades of tensile steel depending on the nature of the application. We supply long reach packages for various excavator models ranging from 20 to 160 metric ton.

Many are amazed to find that a small European country like Holland has well over 10 years history of long reach application in the construction industry. Long reach

excavators are such a common sight in almost all construction sites across Holland. The significance is not because of its popularity, but the wealth of knowledge and cumulative experience gained over the decades in designing a reliable solution at the given price point. The many years of practical experience in fabrication and field testing have provided us with a solid foundation in helping our customers to customized long reach solutions for their application needs.

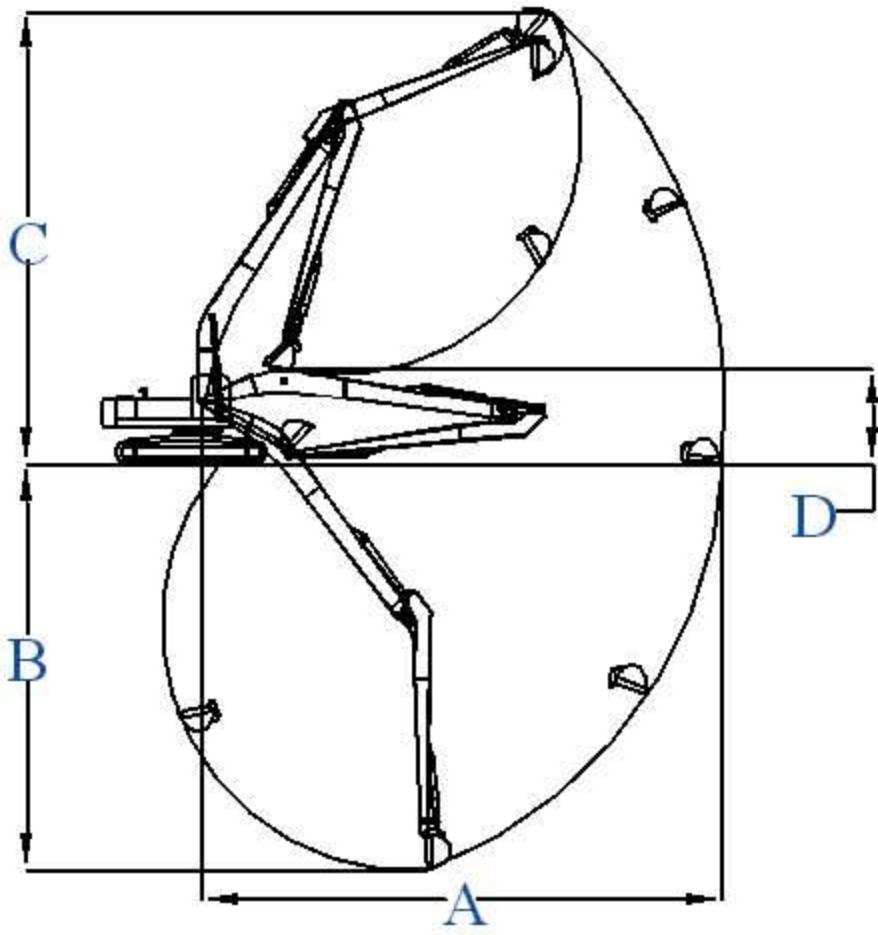
Long reach front is an ideal solution for river and sea dredging either on land or barge, pond excavation and maintenance, deep foundation excavation, drainage construction, distant digging, etc.

There is no customized component and part used in our attachment, we design it with commonly available off the shelf components where customers can easily obtain from their local Caterpillar, Komatsu, Hitachi and Kobelco dealers.





Long Reach/High Reach Attachment



Each long reach package come standard with the following items:

- 1x boom
- 1x stick/dipper arm
- 1x bucket
- 1x bucket cylinder/ram
- 1x boom yoke pin
- 1 set of Hydraulic pressure hose
- 1 set of linkage
- 2x bucket pin
- 2x bucket link pin
- Full set of hydraulic lines

Excavator Operating Weight	Length		A Max. Reach		B Max. Digging Depth		C Max. Height		D Boom Height		Approximate Bucket Capacity	
	m	ft	m	ft	m	ft	m	ft	m	ft	m ³	Yard ³
20-22 ton (44,000-48,400 lb)	15.5	50'	15.50	50' 2"	11.46	37' 7"	13.78	45' 3"	2.50	8' 3"	0.50	0.65
	16.5	53'	16.50	53' 2"	12.16	39' 11"	14.40	47' 3"	2.50	8' 3"	0.50	0.65
	17.0	55'	16.80	55' 1"	12.60	41' 4"	14.95	49' 0"	2.50	8' 3"	0.40	0.52
23-25 ton (50,600-55,000 lb)	16.5	53'	16.50	53' 2"	12.01	39' 5"	14.70	48' 3"	2.70	8' 11"	0.60	0.78
	17.0	56'	17.00	56' 0"	12.85	42' 2"	15.60	51' 2"	2.70	8' 11"	0.60	0.78
	18.0	59'	18.00	59' 0"	13.70	45' 0"	15.80	51' 10"	2.70	8' 11"	0.50	0.65
28-30 ton (61,600-66,000 lb)	18.5	60'	18.50	60' 5"	14.00	45' 11"	16.20	53' 2"	2.90	9' 7"	0.70	0.91
	20.0	65'	20.00	65' 1"	15.30	50' 2"	17.40	57' 1"	2.90	9' 7"	0.60	0.78
33-35 ton (72,600-77,000 lb)	20.0	65'	20.00	65' 1"	16.20	53' 1"	16.70	54' 9"	3.40	11' 0"	0.70	0.91
	21.0	68'	21.00	68' 3"	17.00	55' 9"	17.48	57' 4"	3.40	11' 0"	0.60	0.78
40-45 ton (88,000-99,000 lb)	21.0	68'	21.00	68' 3"	15.30	50' 2"	15.58	49' 3"	3.70	12' 2"	0.85	1.11
	22.0	72'	22.00	72' 2"	16.25	53' 4"	15.92	52' 3"	3.70	12' 2"	0.80	1.04
50-55 ton (110,000-121,000 lb)	22.0	75'	22.00	72' 2"	16.25	53' 4"	15.92	52' 3"	3.70	11' 8"	1.00	1.3
60-65 ton (132,000-143,000 lb)	23.0	75'	23.00	75' 5"	17.80	58' 4"	17.50	57' 5"	4.10	13' 6"	1.25	1.63
70-75 ton (154,000-165,000 lb)	24.0	79'	24.00	78' 8"	19.00	62' 4"	19.00	62' 4"	4.60	15' 1"	1.40	1.82
80-85 ton (176,000-187,000 lb)	25.0	82'	25.00	82' 0"	19.20	62' 11"	19.20	62' 11"	4.70	15' 5"	1.50	1.95
100-110 ton (220,000-242,000 lb)	27.0	88'	27.00	88' 7"	20.00	65' 7"	19.00	62' 4"	5.00	16' 5"	1.60	2.08
	28.0	92'	28.00	91' 9"	21.00	68' 10"	20.00	65' 7"	5.00	16' 5"	1.40	1.82
120-130 ton (264,000-286,000 lb)	28.0	92'	28.00	91' 9"	21.00	68' 10"	20.00	65' 7"	5.50	18' 1"	1.60	2.08
	29.0	95'	29.00	95' 1"	22.00	72' 2"	20.50	67' 3"	5.50	18' 1"	1.40	1.82

* The above specifications are for reference only, actual working range may vary from machine models.

** For the benefit of continuous product improvement, specifications are subject to change without prior notice.



Long Reach/High Reach Attachment

A simple reconfiguration of mounting the hydraulic cylinder/ram at the underside of the stick/dipper arm would transform a typical long reach attachment to a simple high reach boom for demolition application. A simpler and cost down version of a typical 3-piece demolition boom. A 2-piece demolition boom



is also less taxing to control and operate, and operator can get the necessary job accomplished without going through major re-training, saving valuable time and cost. It is also an excellent solution for slop forming where standard boom fall short in this respect.



Every long reach package is professionally packed on metal rack for ease of transportation, hauling, handling and maximizing storage space.

A boom-to-stick locking arm is available as an extra option. The function of the locking arm is to secure the boom and stick, preventing any excessive movement and vibration during land transportation that may have given rise to unnecessary damage to the arm cylinder/ram.

When not in use, it can be safely secured and tucked neatly under the boom as shown in the picture (bottom right), and will bare no obstruction and safety concern during operation.



Sales Office:

HYDRARAM b.v.
Meander 7
NL 9231DB Surhuisterveen
THE NETHERLANDS

Contact details:

web : www.hydraram.com
Telephone : +31 512 365981
Faxcimile : +31 512 365761
E-mail : info@hydraram.com